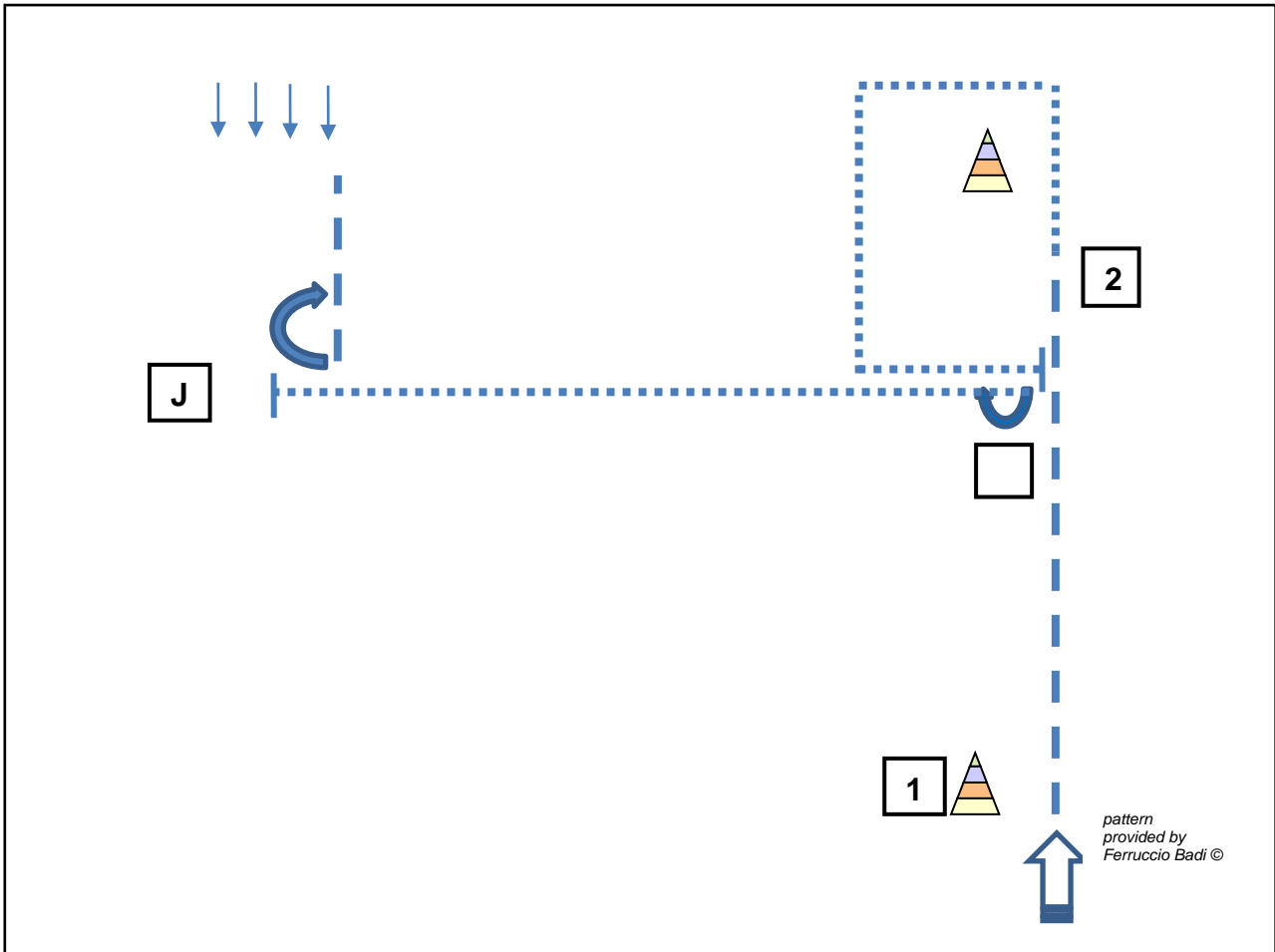


**2019**

***Bonfire  
Star Challenge  
Western Show  
27 April***

## PATTERN: SHOWMANSHIP at Halter

# ALL BREED Showmanship All Ages/ 9295 NSBA Open 1-2yr Showmanship (NSBA Cup)



..... Walk



marker

- - - jog,

^ ^ ^ ^ back,

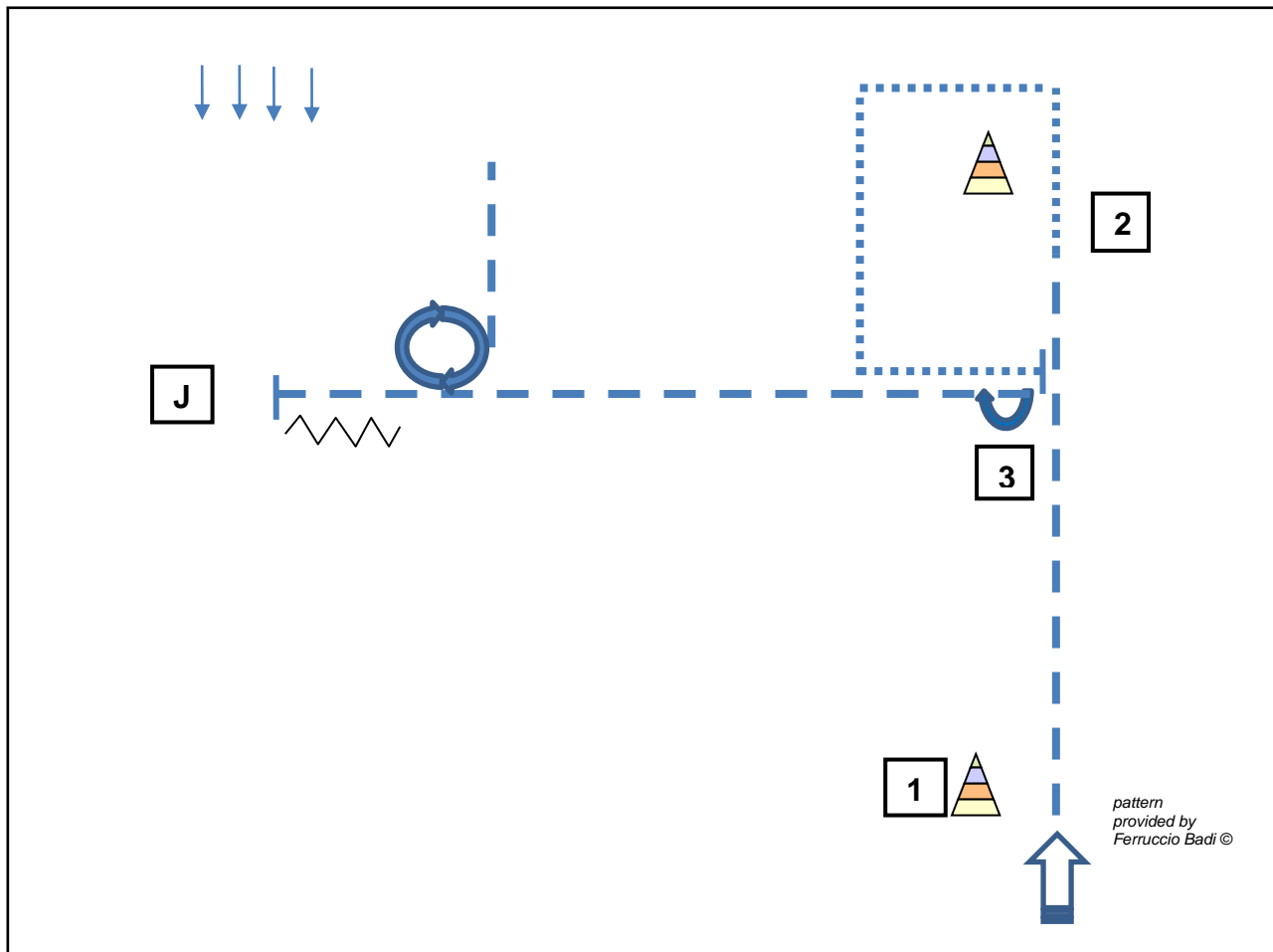
**Pattern:**

1. Set up at the marker 1, jog and break to wall before the marker 2,
2. walk 3 corners and stop
3. 180° pivot and walk to the judge,
4. stop and set up
5. Inspection,
6. At the dismissal 90° and jog in line,

**PATTERN: SHOWMANSHIP at Halter**

**# YSH1**

# YSH1 Youth Showmanship 18 & Under



..... Walk



marker

- - - jog,

^ ^ ^ ^ back,

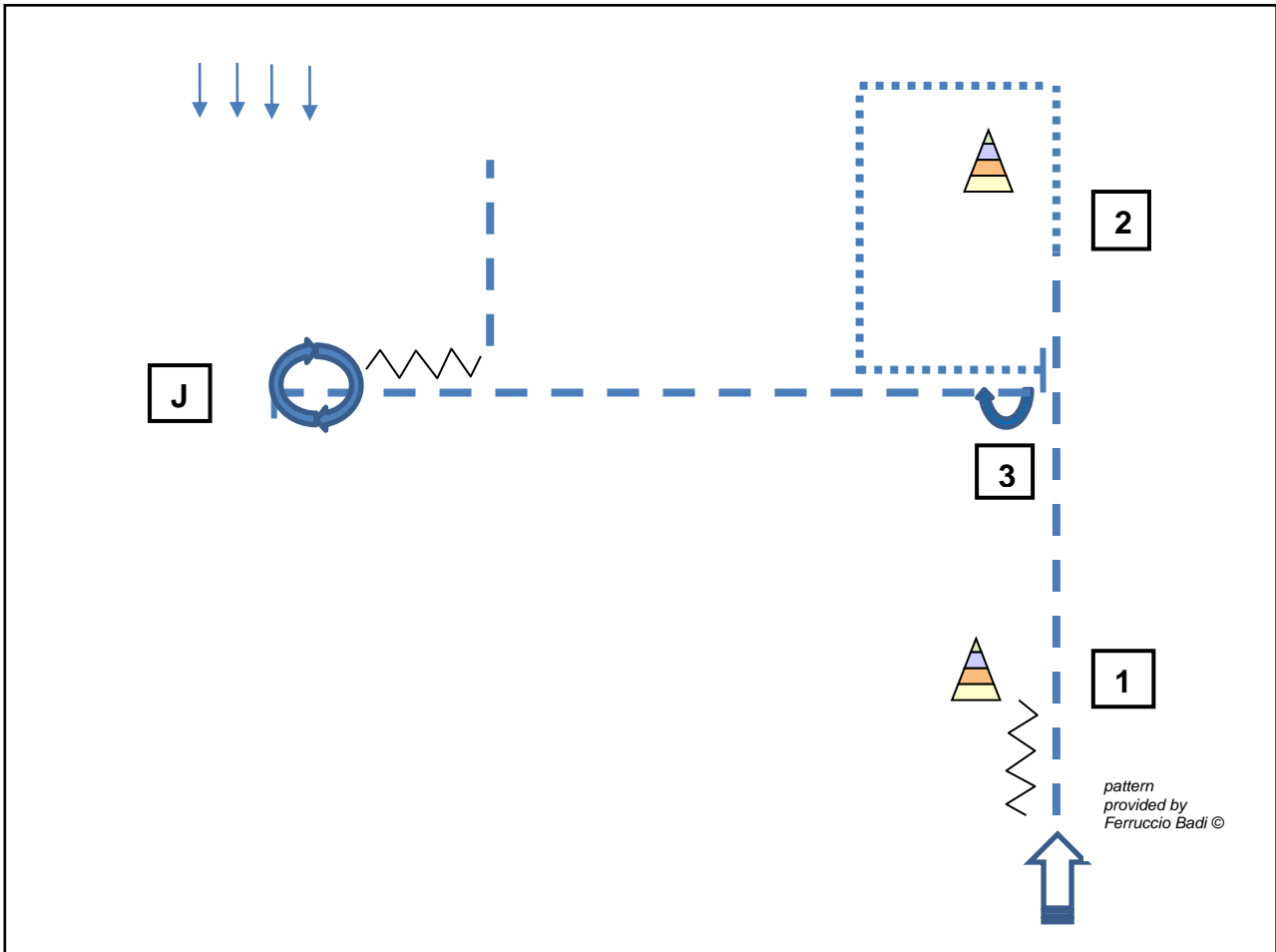
**Pattern:**

1. Set up at the marker 1, jog and break to wall before the marker 2,
2. walk 3 corners and stop
3. 180° pivot and jog to the judge
4. stop and set up
5. Inspection,
6. At the dismissal back one length and 450° pivot
7. jog in line,

## PATTERN: SHOWMANSHIP at Halter

ASH1 Amateur Showmanship All Ages + ABSH SPB Amateur Showmanship AA/

9299 NSBA Showmanship Non Pro



..... Walk



marker

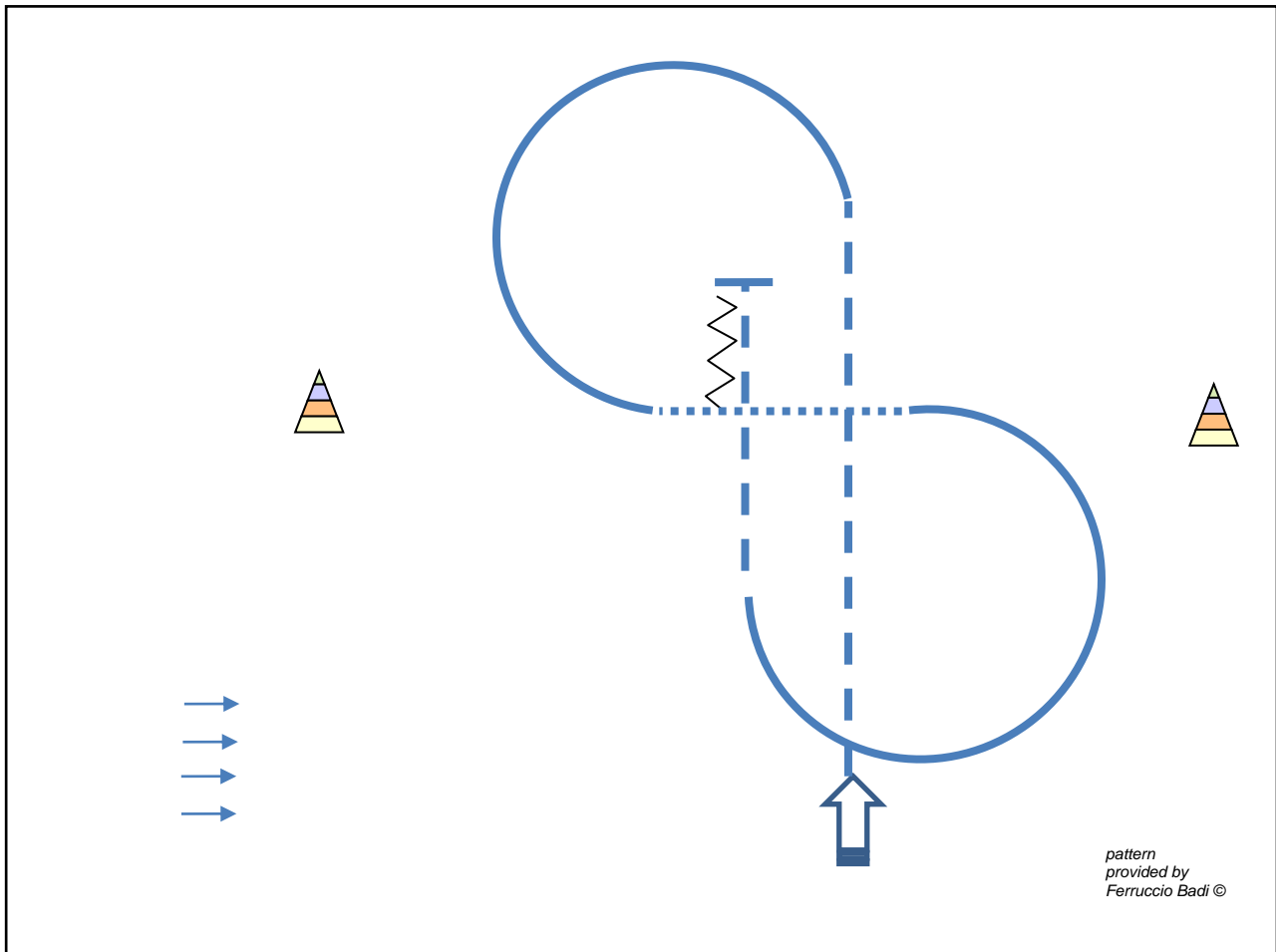
- - - jog,

^ ^ ^ back,

### Pattern:

1. Set up at marker back one length,
2. jog and break to wall before the marker 2,
3. walk 3 corners and stop
4. 180° pivot and jog to the judge
5. stop and set up
6. Inspection,
7. At the dismissal perform a 360° pivot and back one horse length,
8. 90° turn and jog in line,

**PATTERN: Hunt Seat Equitation**  
 # ALL BREED Hunt Seat Equitation All Ages/  
 YEE1 Youth Hunt Seat Equitation 18 & under



..... Walk

- - - trot,

^ ^ ^ ^ back,



marker



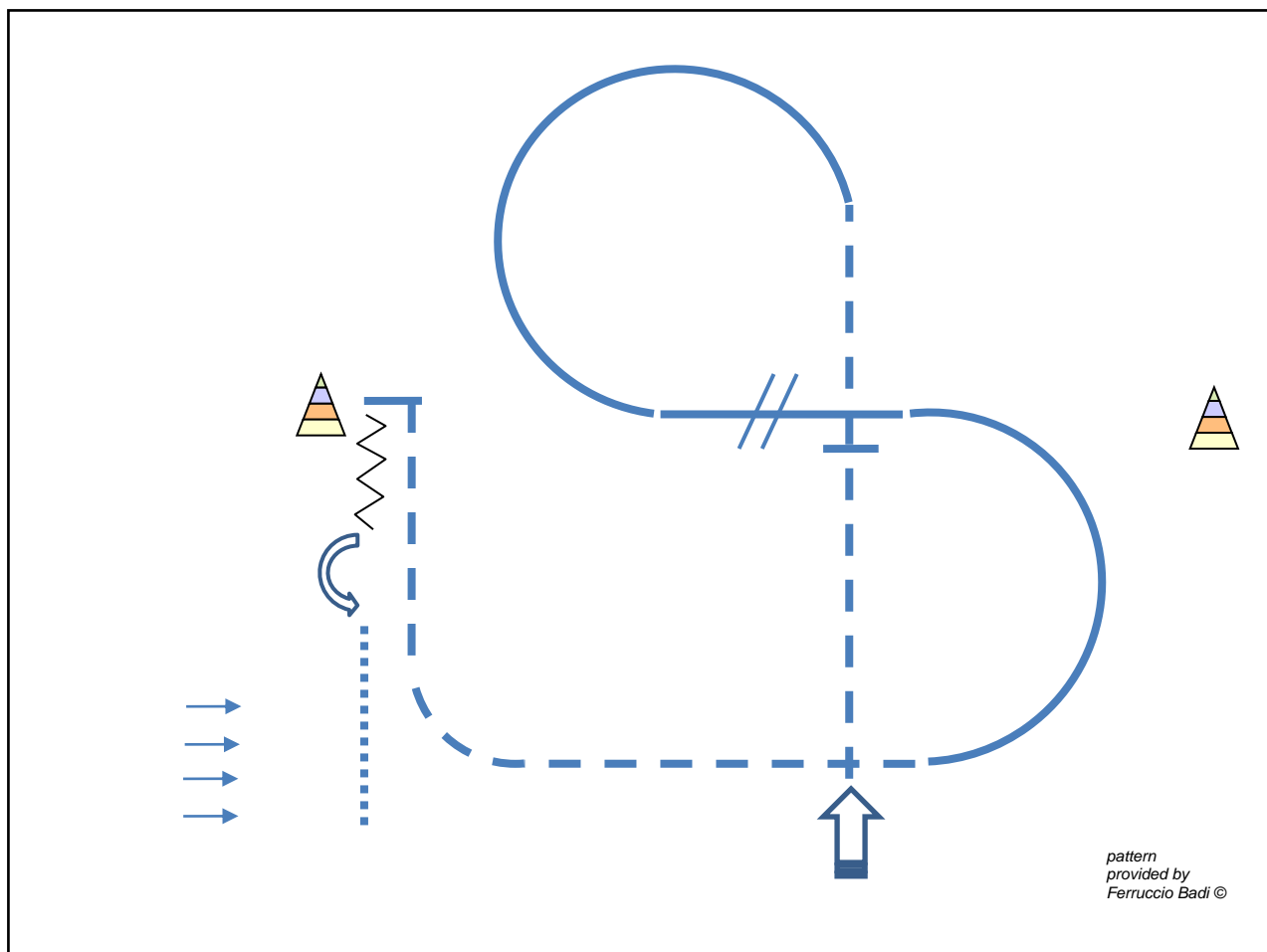
canter

**Pattern:**

1. Set up, *trot on the right diagonal*
2. *left lobe 3/4 of circle*
3. *walk several steps*
4. *right lobe 3/4 of circle*
5. *trot on the left diagonal*
6. *stop and back till the center line and drop reins to the horse*
7. *at the judge dismissal trot in line*

## PATTERN: Hunt Seat Equitation

AHS1 Amateur Hunt Seat Equitation All Ages + ABHS SPB Amateur Hunt Seat Equitation All Ages/  
9289 NSBA Hunt Seat Equitation Non Pro



..... Walk

- - - trot,

^ ^ ^ ^ back,



marker

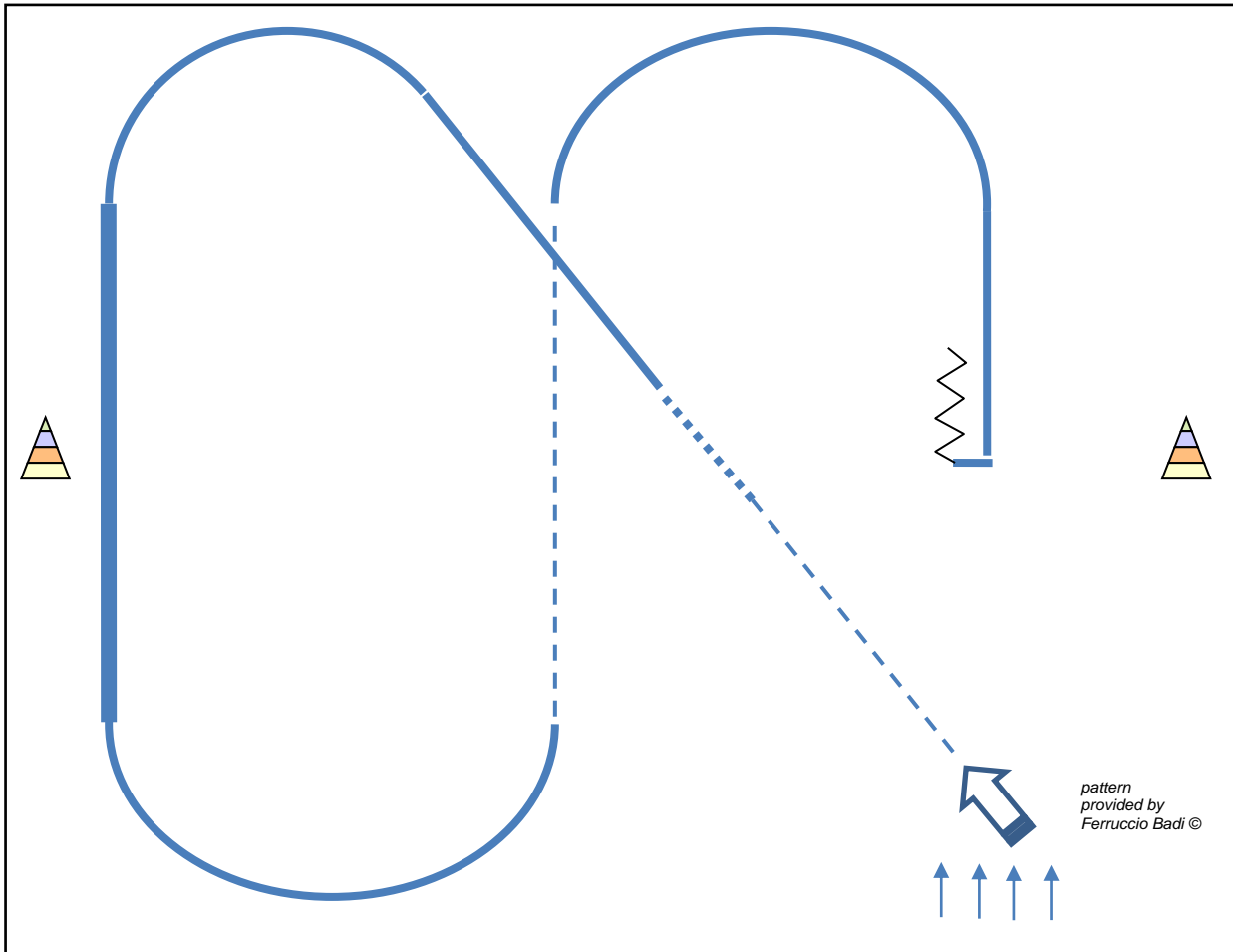


canter

### Pattern:

1. Set up, posting trot on the left diagonal
2. halt for 3 second then posting trot on the right diagonal
3. Left Hand Gallop  $\frac{3}{4}$  of circle, sit when in line
4. change lead in the center simple or flying
5. right lead canter  $\frac{1}{2}$  circle
6. post trot on left diagonal till the corner then
7. sit trot till the middle, stop
8. back one horse length,
9. at the judge dismissal, perform a left 180° pivot on the forelegs and walk in line

**PATTERN: Western Horsemanship**  
 # ALL BREED Western Horsemanship All Ages



pattern provided by Ferruccio Badi ©

..... Walk

 marker

- - - jog,

 lope

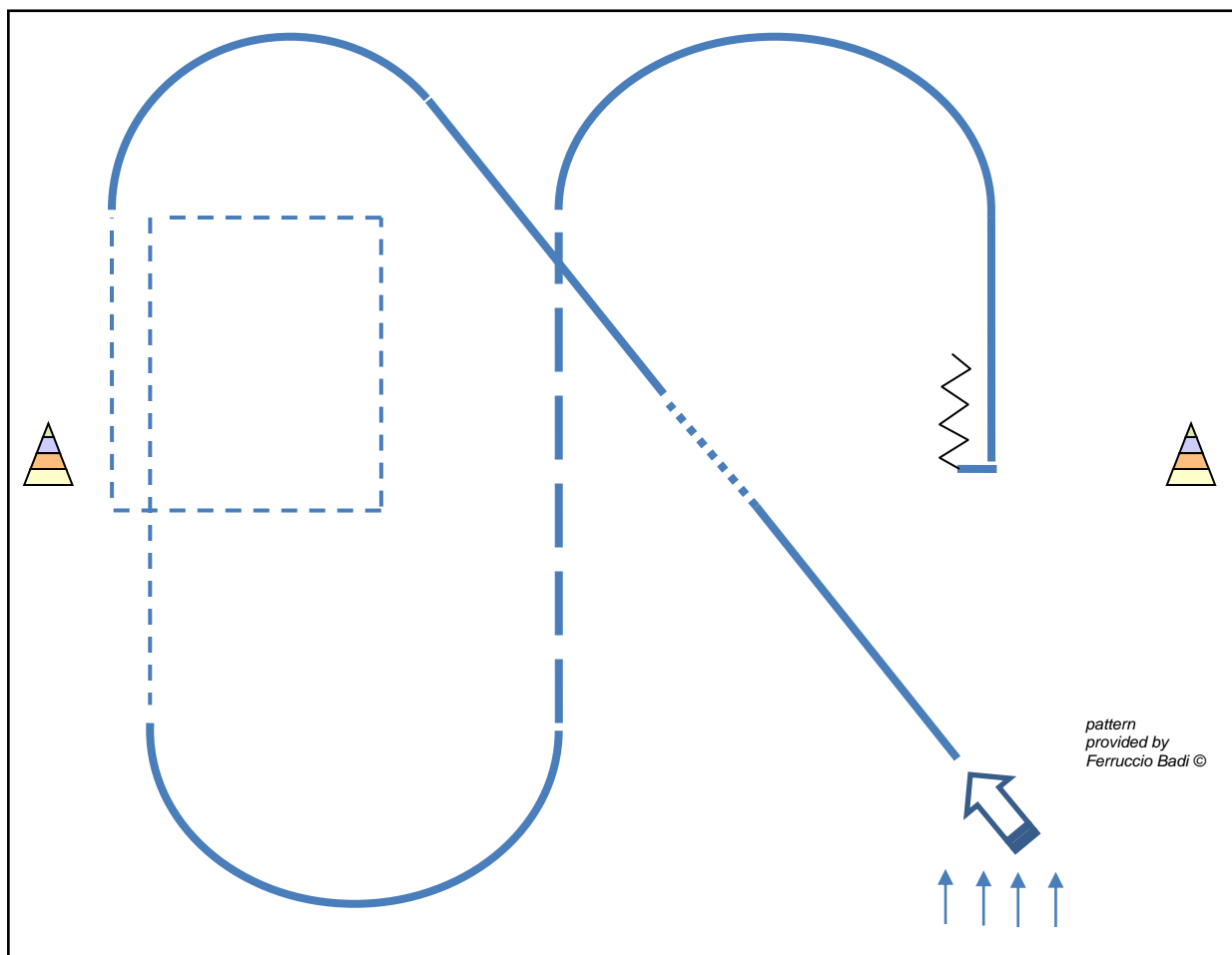
 back,

**Pattern:**

1. Set up, start at jog, walk few step at the center,
2. left lope
3. extend the lope in line and collect to a regular lope in the turn
4. break down to the jog
5. take the right lope on the turn and stop on the center line
6. back 1 horse length,
7. At the dismissal jog in line,

## PATTERN: Western Horsemanship

YH1 Youth Western Horsemanship 18 & Under / AH1 Amateur Western Horsemanship All Ages + ABHM SPB Amateur Western Horsemanship All Ages



pattern provided by Ferruccio Badi ©

..... Walk



marker

- - - jog,



lope

^ ^ ^ ^ back,

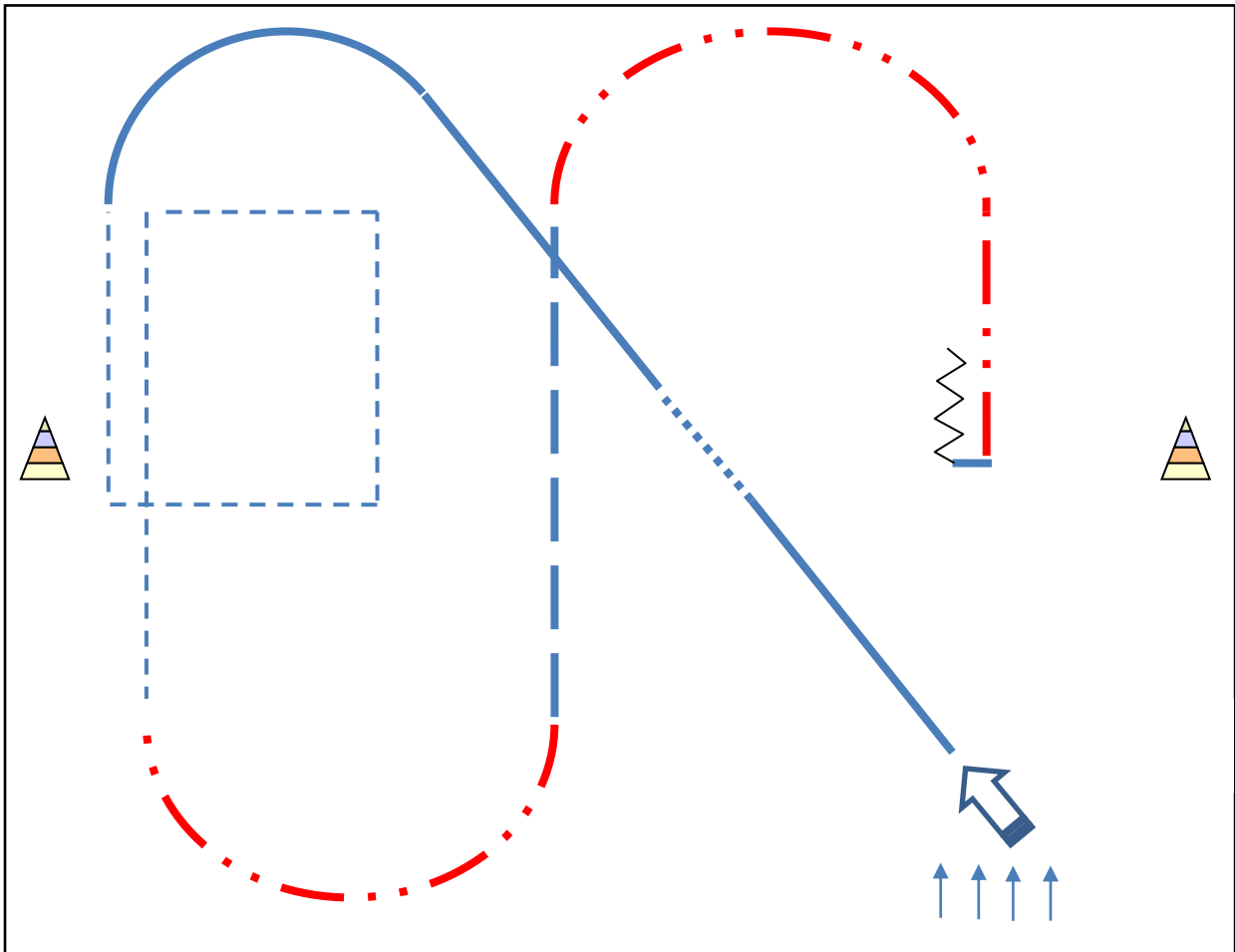
### Pattern:

1. Set up, start at right lope, walk few step at the center,
2. left lope
3. jog a square
4. lope in the turn
5. break down to extended jog
6. take the right lope on the turn and stop on the center line
7. back 1 horse length,
8. At the dismissal jog in line



## PATTERN: Western Horsemanship


#9279 NSBA Horsemanship Non Pro



..... Walk

- - - jog,

~~~~~ back,

 marker  
———— lope

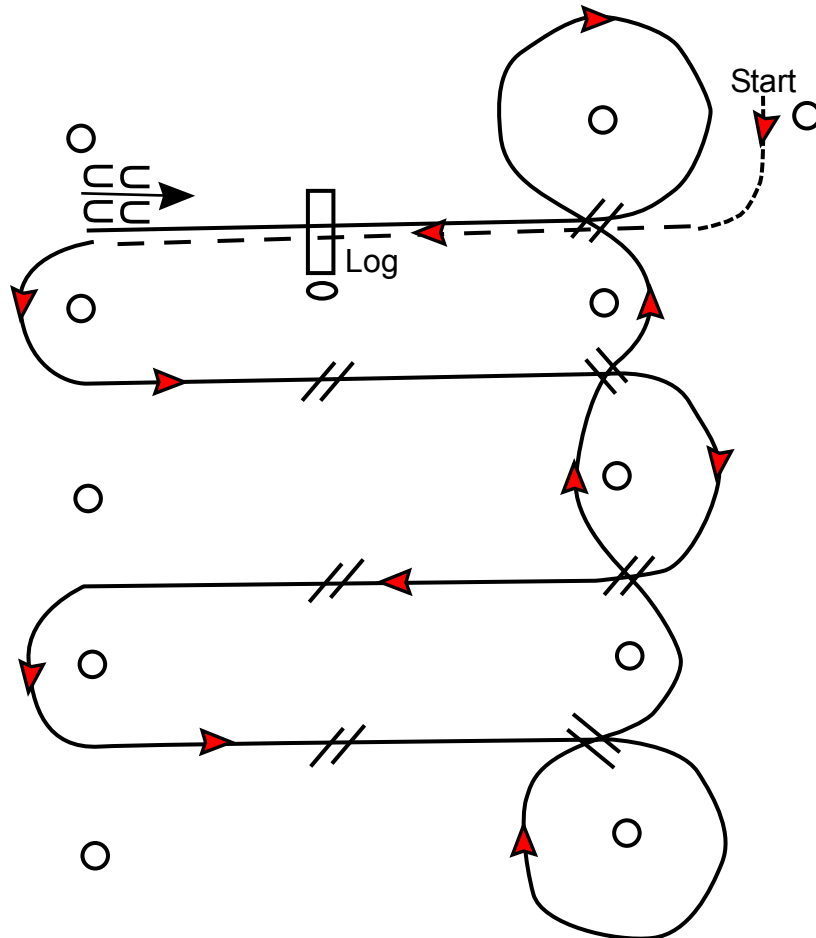
— . . . — counter lope

### Pattern:

1. Set up, start at right lope, walk few step at the center,
2. left lope
3. jog a square
4. counter lope in the turn
5. break down to extended jog
6. take the counter lope on the turn and stop on the center line
7. back 1 horse length
8. At the dismissal jog in line

Pattern:  
Western Riding Pattern nr 2

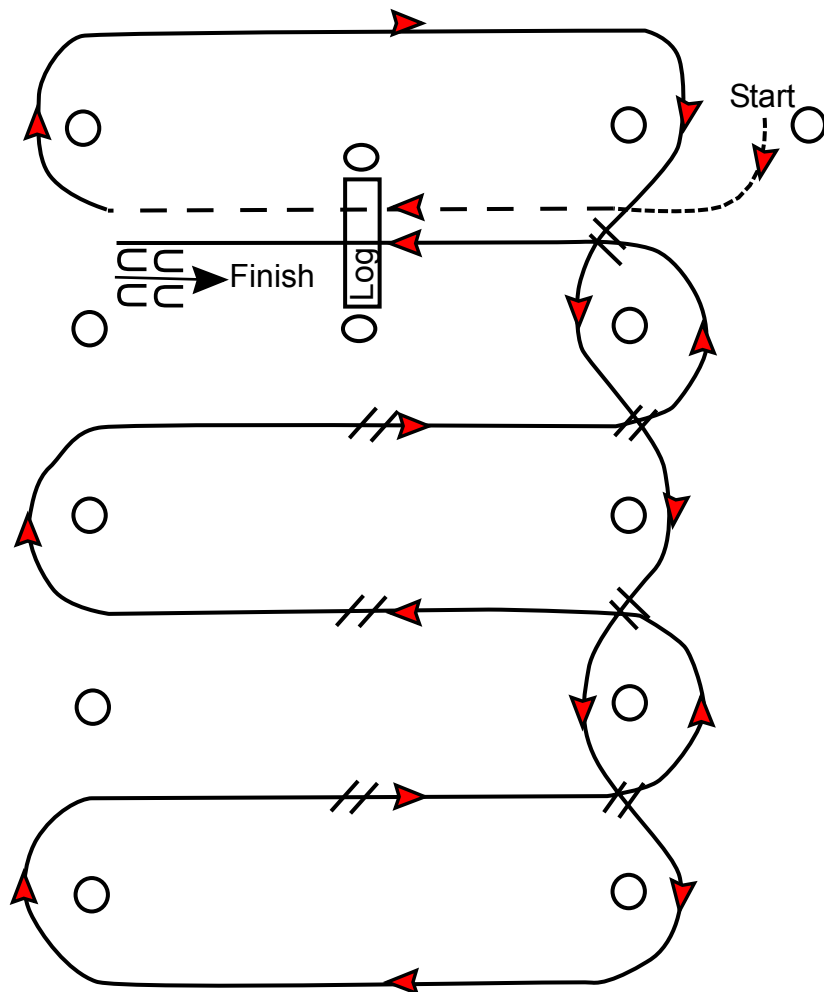
ALL BREED Western Riding All Ages



1. Walk, transition to jog, jog over log
2. Transition to lope
3. First crossing change
4. Second crossing change
5. Third crossing change
6. Circle and first line change
7. Second line change
8. Third line change
9. Fourth line change and circle
10. Lope over log
11. Lope, stop and back

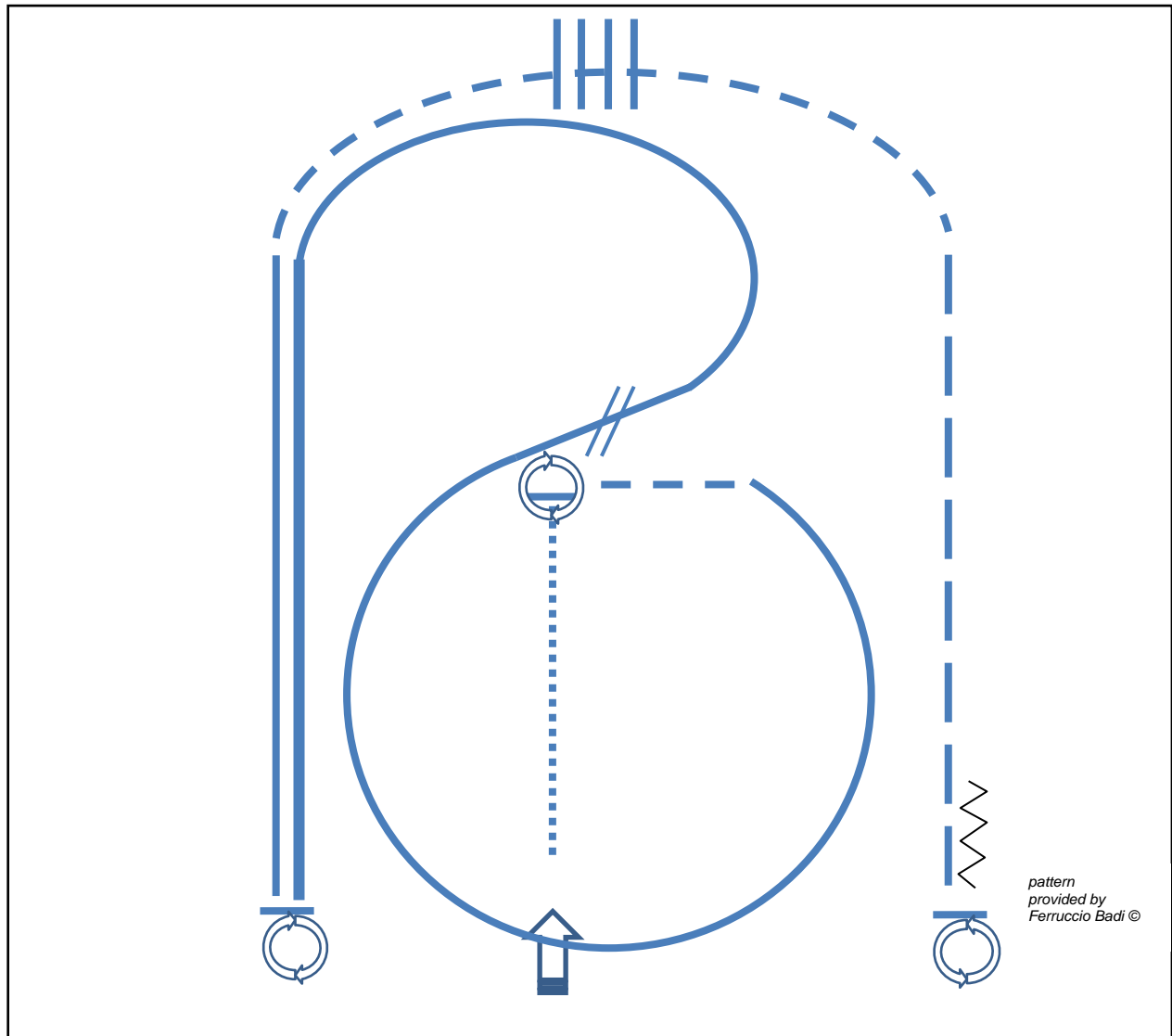
Pattern:  
Western Riding Pattern nr 4

WR1 Western Riding All Ages + BWR1 SPB Western Riding All Ages



1. Walk, transition to jog, jog over log
2. Transition to lope, lope to right around end
3. First line change
4. Second line change
5. Third line change
6. Fourth line change
7. First crossing change
8. Second crossing change
9. Third crossing change
10. Lope over log
11. Lope, stop and back

**PATTERN: RANCH RIDING**  
# ALL BREED Ranch Riding All Ages

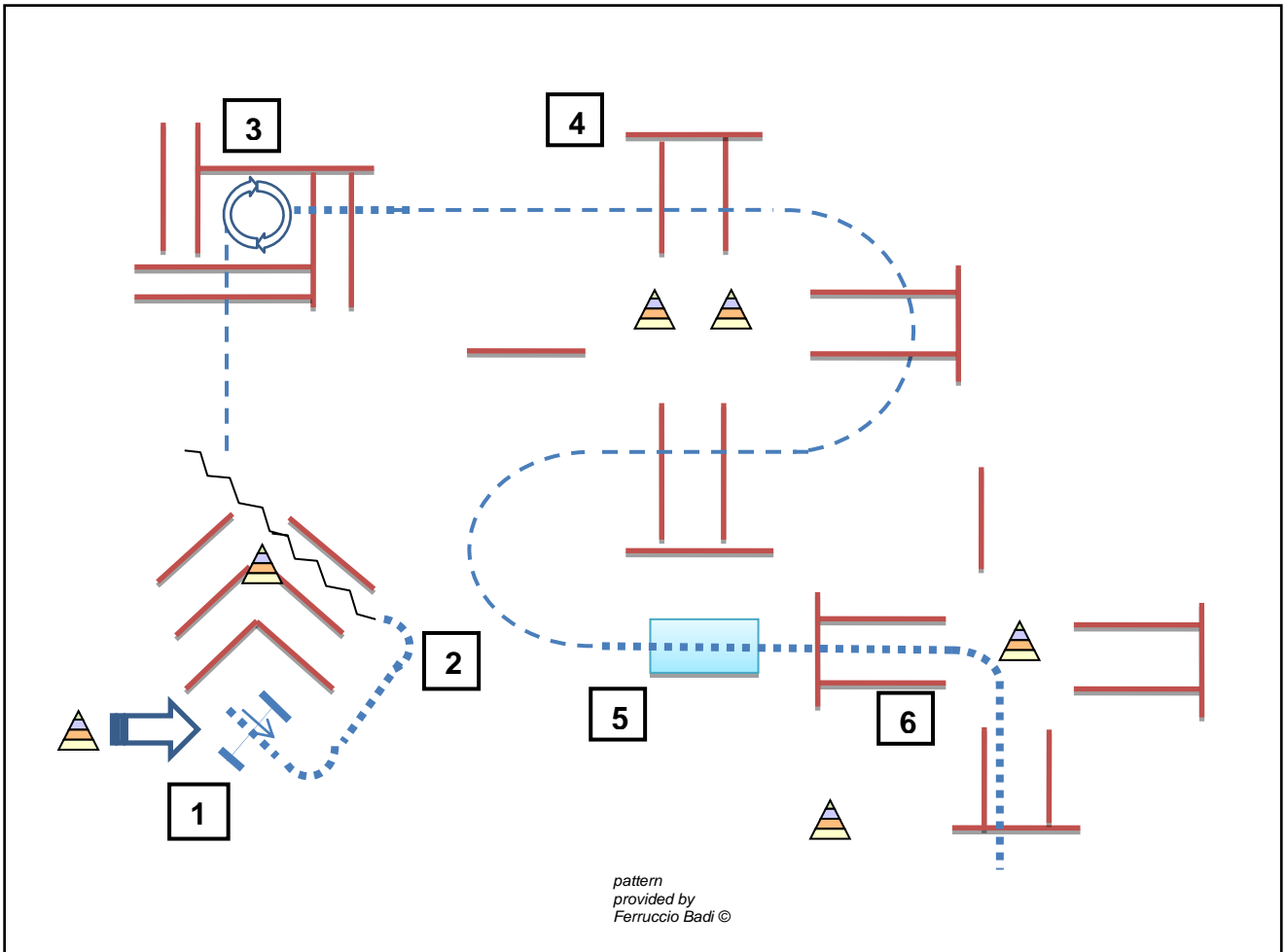


pattern  
provided by  
Ferruccio Badi ©

**Pattern:**

- **Walk**
- **stop and 1 ¼ turn to the right**
- **trot**
- **right lead lead lope**
- **chance lead**
- **left lope**
- **Extended lope**
- **stop**
- **1 ½ turn to the right**
- **right lop and break to trot and over the logs**
- **Extended trot and stop**
- **1 turn to the left**
- **back one length**

**PATTERN: In Hand Trail**  
 # ALL BREED 1-2-3 year old In Hand Trail



..... Walk



marker

- - - jog,

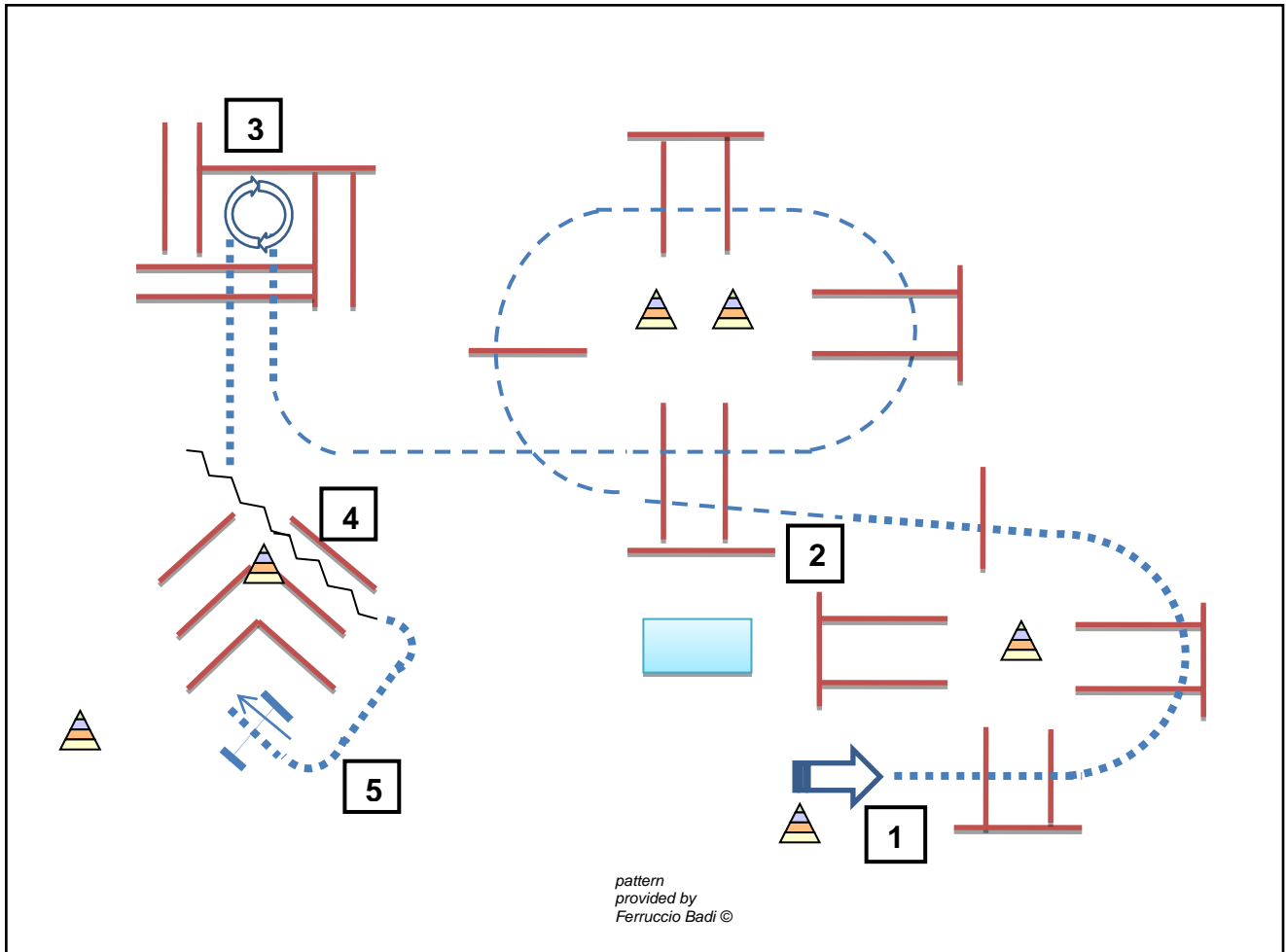
^ ^ ^ ^ back,

**Pattern:**

1. ready to the marker, gate
2. walk turn and back between the poles till out
3. turn and jog over into the box in the box 45° to the right, exit at walk
4. jog over the poles
5. walk the bridge
6. walk in and over the poles

## PATTERN: In Hand Trail

# IHT3 Yearling & 2 yr-old In Hand Trail + BIH3 SPB Yearling & 2 yr-old In Hand Trail



..... Walk



marker

- - - jog,

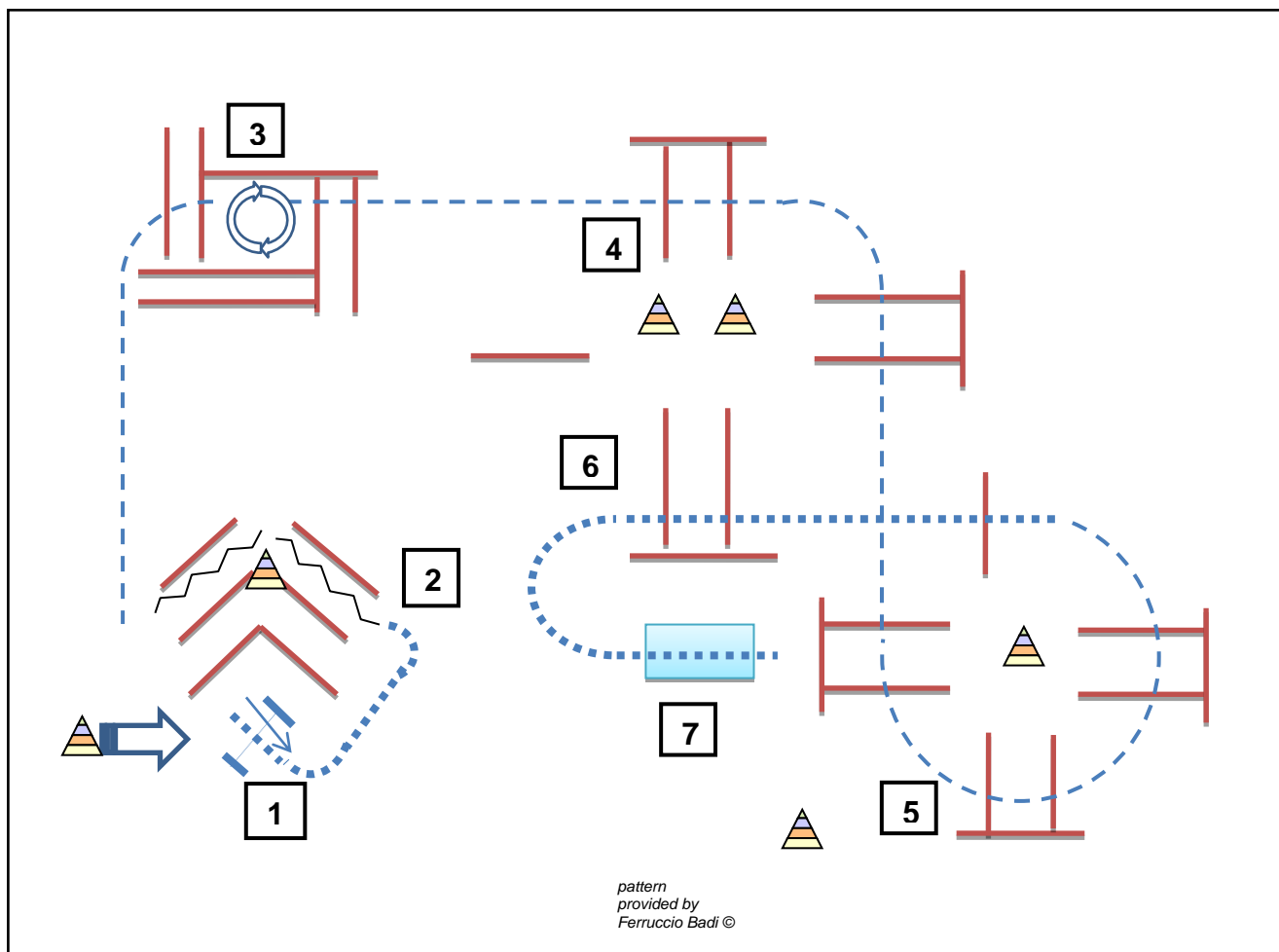
^ ^ ^ ^ ^ back,

### Pattern:

1. ready to the marker, walk over
2. jog over,
3. walk over into the boxes and perform 1 ½ turn to the right and walk over out,
4. walk turn and back in between the poles
5. walk and gate,

## PATTERN: In Hand Trail

# 9285 NSBA Open 1-2yr Trail in Hand Open (NSBA Cup)



..... Walk



marker

- - - jog,

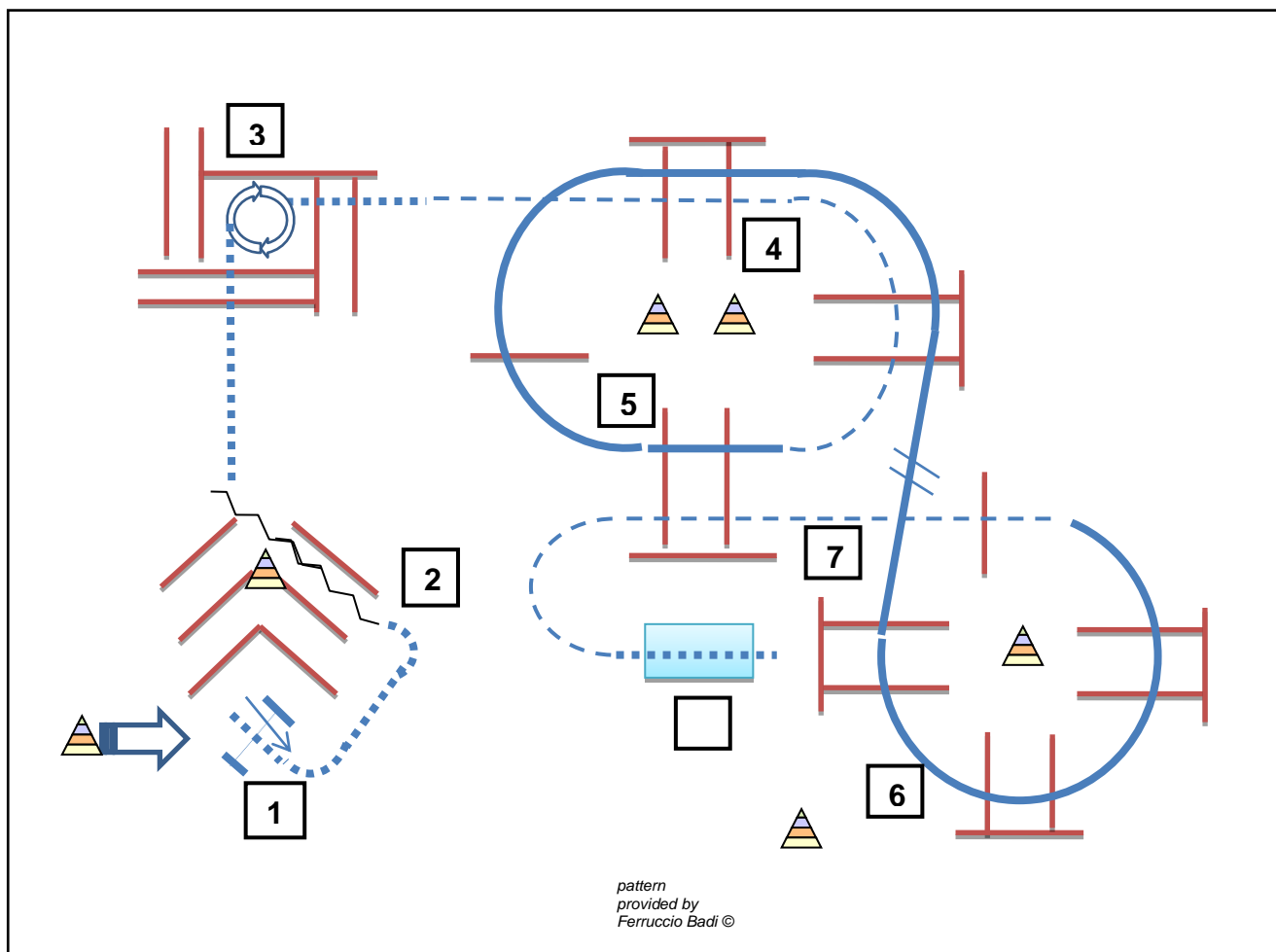
^ ^ ^ ^ back,

### Pattern:

1. ready to the marker, gate
2. walk and back "L"
3. jog over and into the box, 1 turn to the right, jog out
4. jog over
5. jog over
6. walk over
7. walk the bridge

## PATTERN: Trail Horse

# ALL BREED Trail AA All Ages



..... Walk



marker

- - - jog,



lope

~~~~~ back,

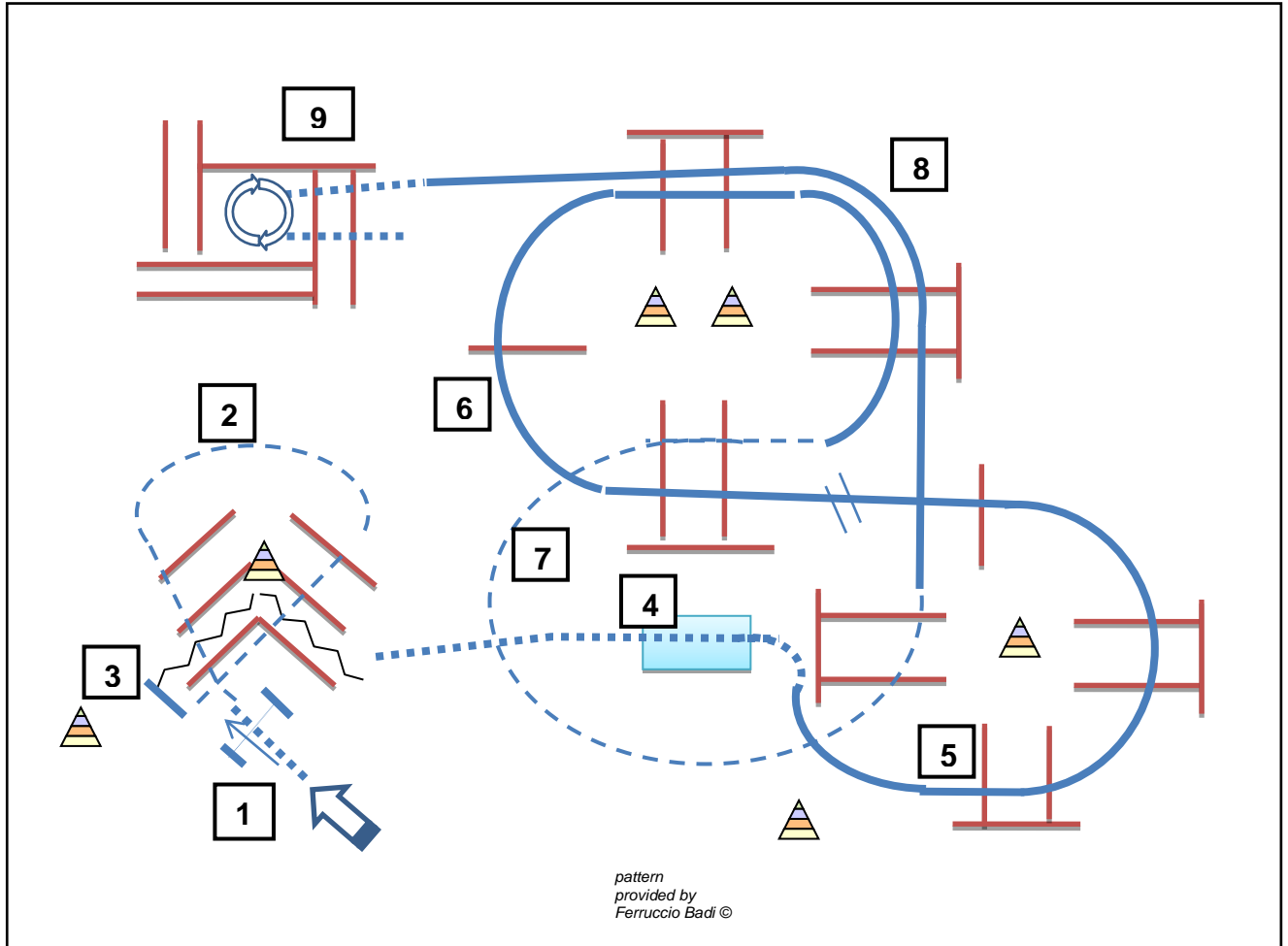
### Pattern:

1. ready to the gate, walk the gate,
2. back
3. walk over an into the box, 450 right turn, walk over an out
4. jog over
5. right lope over, change lead (simple or flying)
6. left lope over
7. jog over
8. walk the bridge



## PATTERN: Trail Horse

# YT1 Youth Trail 18 & Under / AT1 Amateur Trail All Ages + ABT SPB A Trail All Ages /  
9281 NSBA Non Pro Trail



..... Walk

- - - jog,

^ ^ ^ ^ back,

 marker

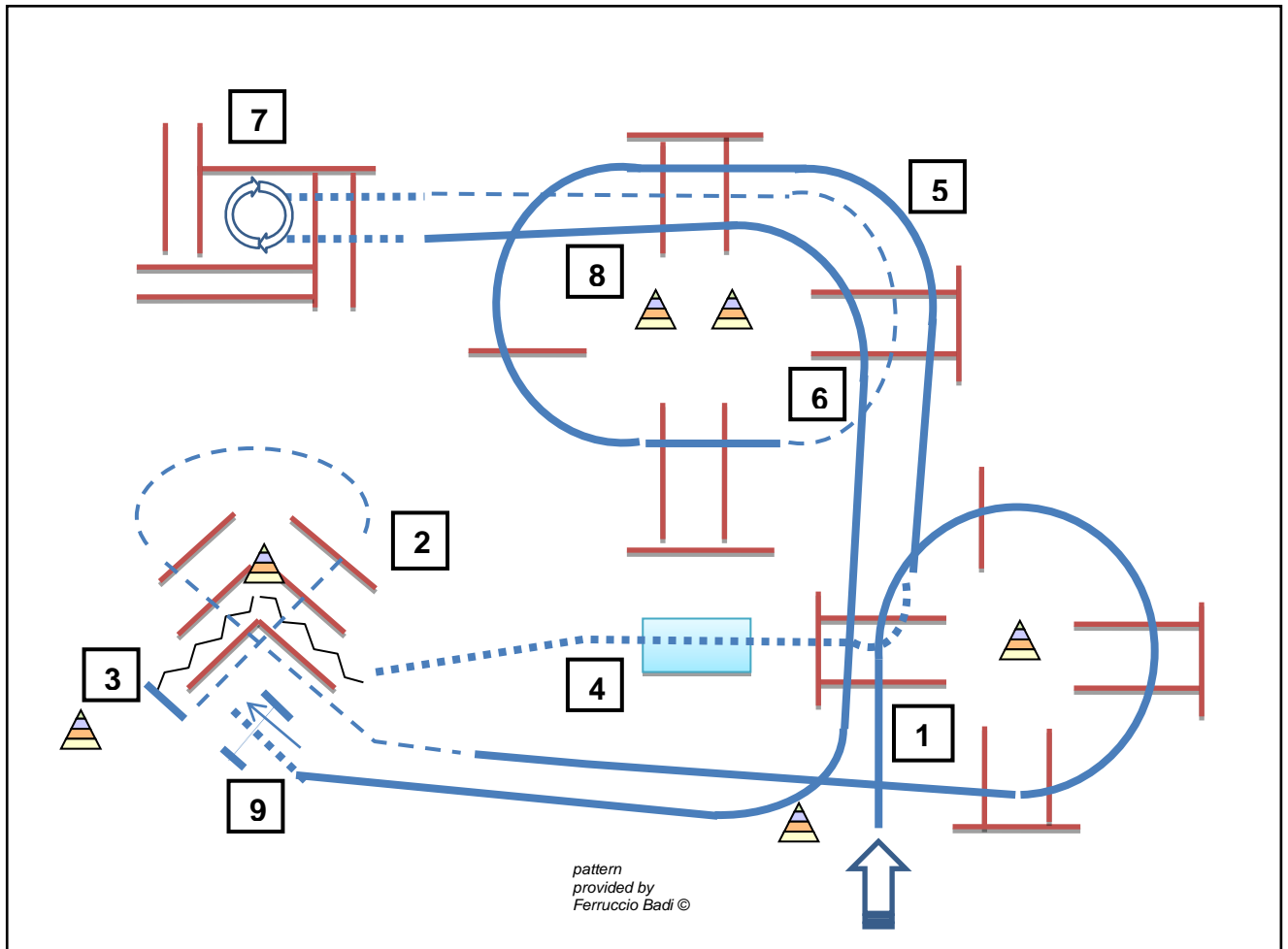
 lope

### Pattern:

1. gate
2. jog over, stop
3. adjust the horse back "L" between the logs
4. walk the bridge,
5. left lope over, change lead simple or flying
6. right lope over
7. jog over
8. left lope over
9. walk over and enter the box, 1 ½ turn to the left, walk over

## PATTERN: Trail Horse

# TRL1 Open Trail All Ages + BT1 SPB Trail All Ages



..... Walk

 marker

- - - jog,

 lope

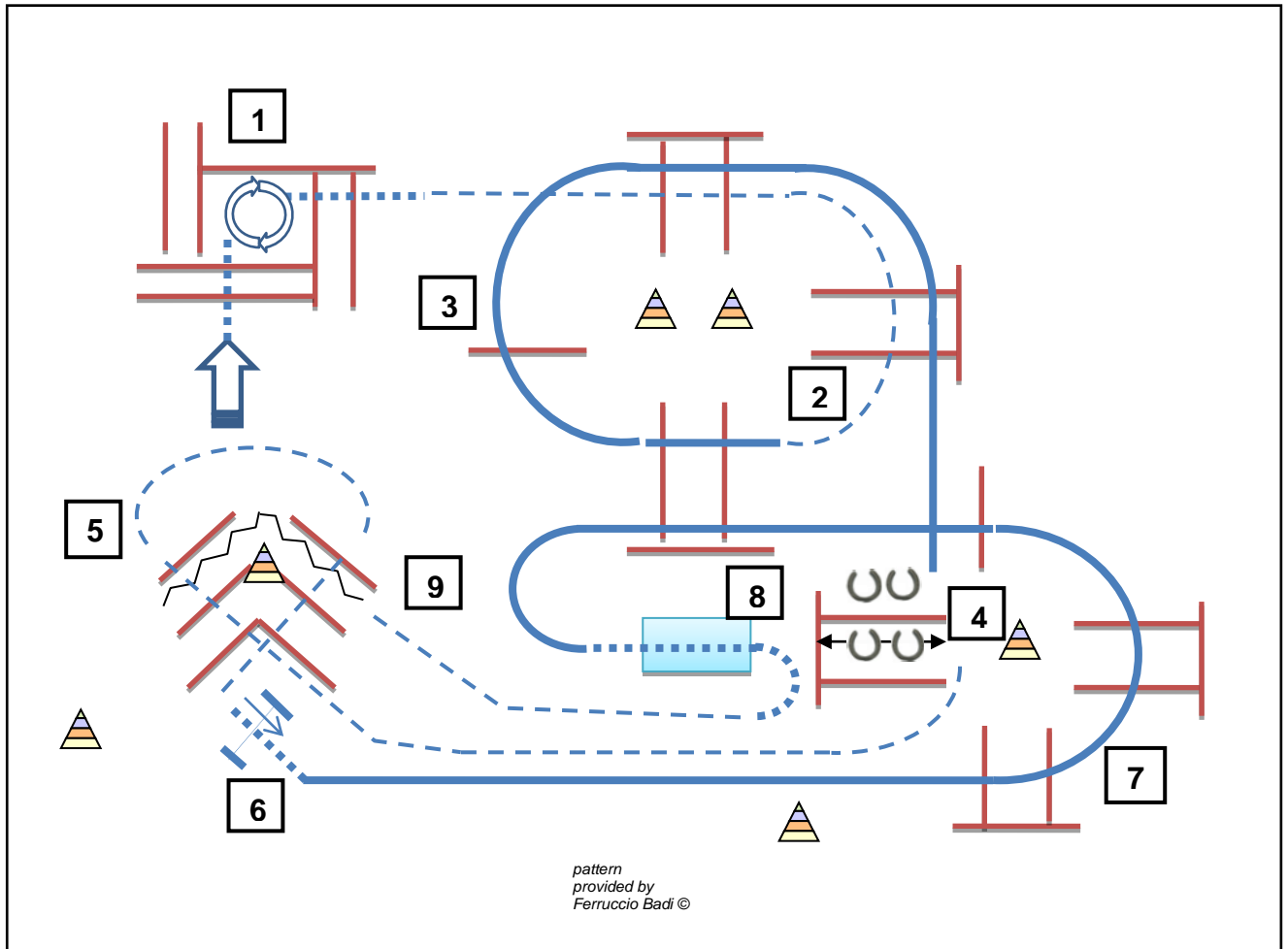
 back,

### Pattern:

1. ready to the marker, right lope over
2. jog over, stop
3. adjust your horse and back "L" between the logs
4. walk the bridge, and walk over
5. lope over
6. jog over
7. walk over and enter the box, 1 1/2 turn to the right, walk over
8. lope over
9. gate

# PATTERN: Trail Horse

# 9280 NSBA Open Trail



..... Walk

 marker

- - - jog,

 lope

 back,

## Pattern:

1. walk over and enter the box, 1 1/4 turn to the right, walk over
2. jog over
3. right lope over, stop
4. side pass right and left
5. jog over
6. gate
7. left lope over
8. walk the bridge, and walk over
9. jog, turn and back "L"